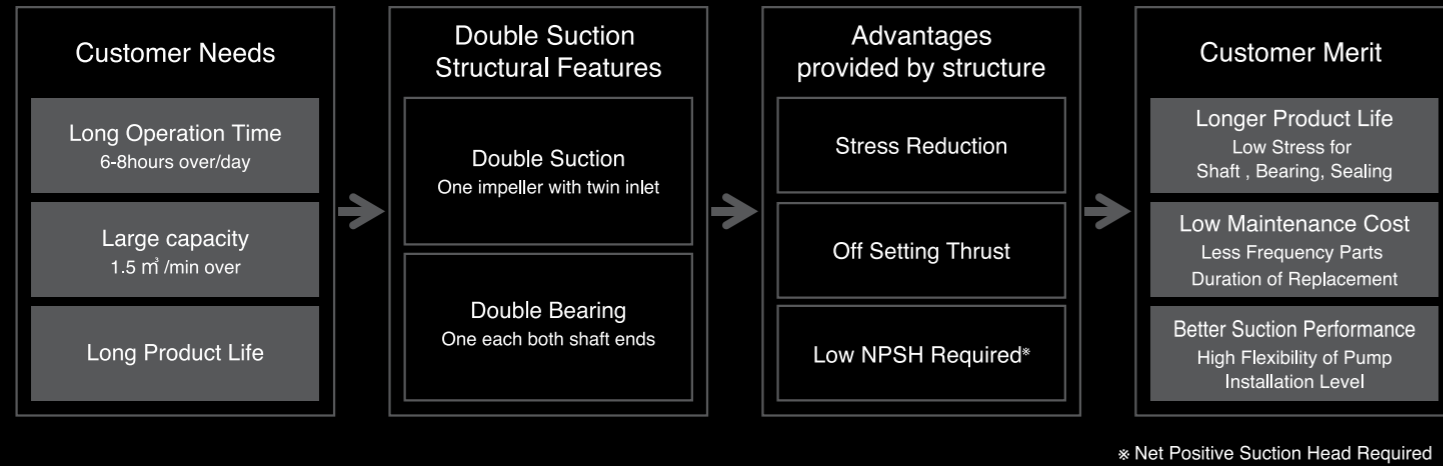


Why - type C - , Double Suction Pump?

- Compared with single suction -

will provide stable operation and better performance, low vibration, low noise.
will lead longer product life, less energy consumption.



Documentations

Technical Data Book

- Technical product descriptions
- Performance curves
- Available in Web selection system

Pump selection system

- EBARA pump selector program

Model selection available on EBARA
Pump Selector: "ezfinder.ebara.com/"

!! Select the country, first

!! "Registration/ Log On" is required for selection

!! After logging on, Please select "Select by
Model Name" and input "CB"



Japanese Technology since 1912

Before use this product and technology, the contents should be confirmed, complied and revised in accordance with the laws and regulations of the country.
(i.e. export control laws and regulations etc.)

*1 "MODEL CB" in this catalog is our model code *2 All specifications subject to change without notice.

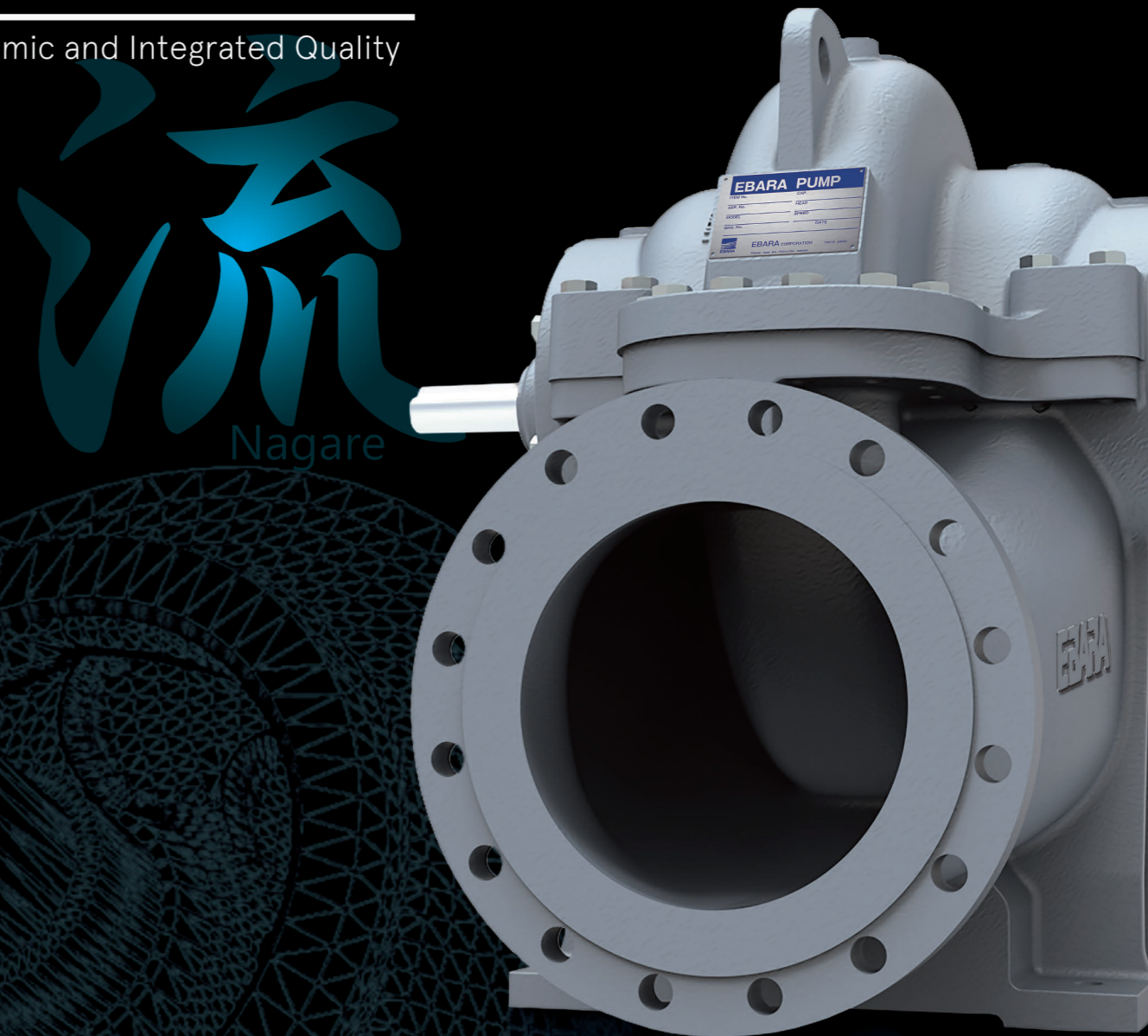


Ahead Beyond

HORIZONTAL DOUBLE SUCTION PUMP MODEL CB

eDYNAMiQ

Eco, Dynamic and Integrated Quality



EBARA CORPORATION

11-1, Haneda Asahi-cho, Ota-ku, Tokyo, 144-8510, Japan

<https://www.ebara.co.jp/en/index.html>

26-105-E03
2021.7

eDYNAMiQ

Eco, Dynamic and Integrated Quality

Ebara's Stunning Solutions for a Better World

delivering stunning solutions to every application and occasion

High levels of efficiency with leading-edge design

High efficiency

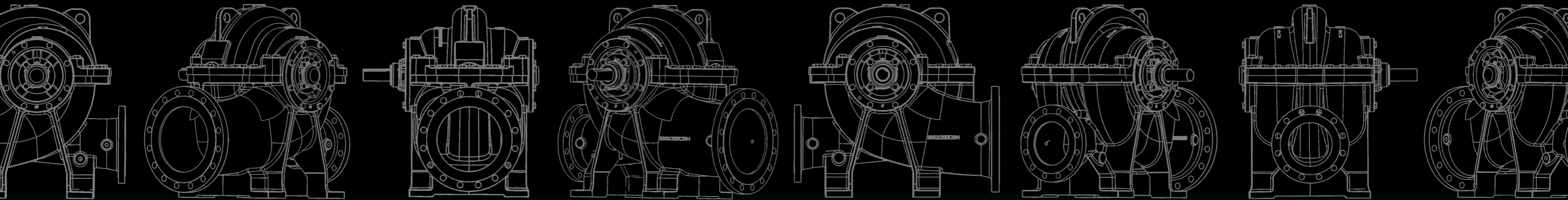
- Challenge to the theoretical limit with optimized hydraulic design
- 4% Approx. higher than existing model

Reducing operation cost

- Design pump smaller leads required power smaller

Improving suction performance

- Low NPSH-R while applying higher speed
- Ensure high suction lifts even with large flow
- Minimizing cavitation



Technical Data

Capacities: To 53m³/min (50Hz)

To 62m³/min (60Hz)

Head: To 135m (50Hz)

To 150m (60Hz)

Max pressure: 16bar (1.6Mpa)

Temperature: 0 to 80°C

Discharges Size: 125 - 400mm

Materials:

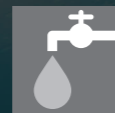
Casing: Cast iron

Impeller: Bronze or stainless steel

Main shaft: Stainless steel

*Please contact for other materials

Applications



Public utilities

- Municipal water supply
- Irrigation
- Drainage



General industrial use

- Water supply
- Process cooling and chilled water
- Water circulation
- Boiler feed water



Building services

- Water supply
- Air conditioning
- Fire fighting

Selection chart

